



Batch Mixers

Capacity

5 - 30,000 litres.

Workheads

Interchangeable workheads available for all models.

Materials of Construction

Product contact parts in 316L stainless steel. Non-standard materials such as carbon steel or Hastelloy available on request.

Motor Specification

TEFV and ATEX approved Flameproof motors are available as standard. Inverter rated, stainless steel and other motors are available as optional extras.

Mounting

All mixers can be supplied with either a rectangular or circular flange for mounting on the vessel. Smaller models can be mounted on specially constructed mobile hydraulic floor stands.

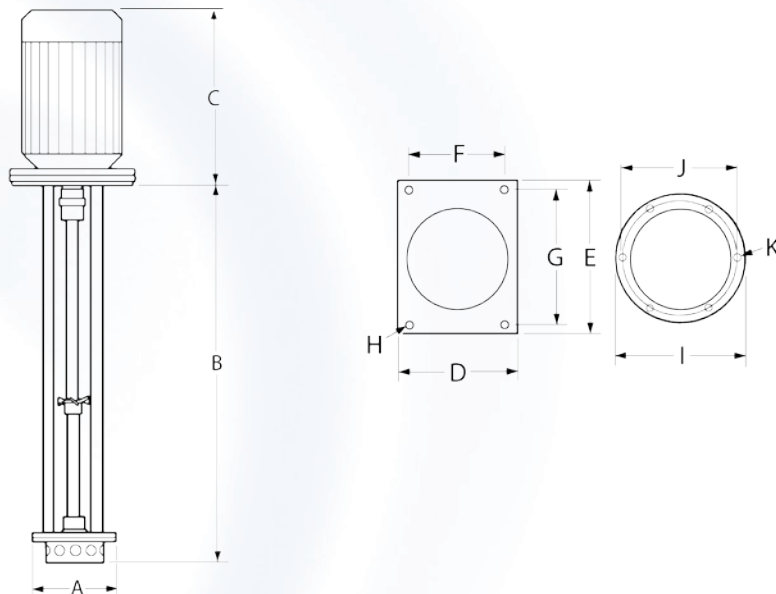
Sealing

Where sealing is required, lip seals and single or double mechanical shaft seals can be supplied.

Cleaning

Simple, easy-to-clean construction.

Batch Mixers



Model	kW	R.P.M.	A	B	TEFV C	ATEX C	D	E	F	G	H	I	J	K
BX	0.75	3000	118	610	277	312	229	229	178	203	4 x 10	254	203	6 x 10
DX	1.5	3000	160	690	303	330	254	254	203	229	4 x 10	254	203	6 x 10
EX	3	3000	165	790	334	379	305	305	267	267	4 x 11	337	292	6 x 11
FX	4	3000	165	1042	334	379	305	305	267	267	4 x 11	337	292	6 x 11
GX10	7.5	3000	286	1220	413	460	305	407	254	369	4 x 11	407	356	6 x 11
GX10	7.5	1500	286	1220	413	460	305	407	254	369	4 x 11	407	356	6 x 11
GX20	15	3000	286	1220	561	600	381	483	305	432	4 x 14	407	356	6 x 14
700X	11	1500	368	1525	561	600	482	381	432	305	4 x 14	483	406	6 x 14
HX10	7.5	1000	419	+	565	605	520	432	476	381	4 x 17.5	584	521	6 x 20.5
HX30	22	1500	419	+	670	710	520	432	476	381	4 x 17.5	584	521	6 x 20.5
JX	15	1000	419	+	670	710	520	432	476	381	4 x 17.5	584	521	6 x 20.5
KX	from 30	1000	610	+	860	935	864	711	787	610	4 x 17.5	864	794	8 x 17.5

+ Length adjusted to suit vessel.

* Capacities available on request.

The dimensions shown are approximate only and certified diagrams should be used for installation purposes. Silverson reserves the right to change dimensions and specifications without notice.