

Solutions for Your TOUGHEST
MIXING Applications in

COSMETICS & TOILETRIES



Lipstick Manufacture

Lipstick Manufacture

Lipsticks consist of a pigment dispersed into a mixture of oils and waxes. The range of pigments and other raw materials permitted for use is strictly limited by regulatory authorities including the EU and FDA. Oils used include castor oil, mineral oil or petrolatum; waxes include beeswax, carnauba, candelilla and ozokerite (ceresin). Waxes can be used in either powder, flake, prill pellet or solid form. Silicone compounds are also sometimes used in the base formula. Other ingredients include emollients, pigment dispersants, preservatives and fragrances. Some products also incorporate additional properties such as UV protection or pearlescent finish. Typical ratio of oil:wax:pigment would be as follows:

Oil	50 - 70%
Wax	20 - 30%
Pigment	5 - 15%

Lip Salves (or balms) are formulated from a similar base, but instead of pigments they contain additional moisturisers, sunscreen agents or “active” ingredients such as camphor.

The Process

Lipsticks are generally manufactured in small batches. A typical manufacturing process would be as follows:

- The oil is heated in the process vessel to 80 - 85°C (175 - 185°F). The waxes are melted separately in a hemispherical jacketed vessel (often called a “kettle”) typically fitted with an anchor stirrer/scrapper. Part of the oil may be added to the kettle to aid the process.
- The wax phase is added to the oil phase. Various types of mixers/dispersers are used to combine the two phases.
- A “pigment grind” is prepared by dispersing the powdered pigment into part of the oil using a triple roll mill, bead mill or similar conventional mill. Increasingly premicronised pigments are used. These do not require grinding as such but some degree of shear may be required to break down any agglomerated particles.
- Ready-to-use liquid pigment dispersions are also widely used despite the increased cost. These can be added directly to the oils and waxes without pre-processing.
- The pigment grind is added to the oil/wax phase and mixed until a homogeneous product has been achieved. This may require passing through a colloid mill or similar.
- The mixture is cooled slightly before fragrances, preservatives and other ingredients are added.
- The finished product is held at a lower temperature before being poured into moulds and cooled to solidify.
- The sticks may be “flamed” to produce a glossy finish to the surface.

The Problem

The process is subject to a number of problems:

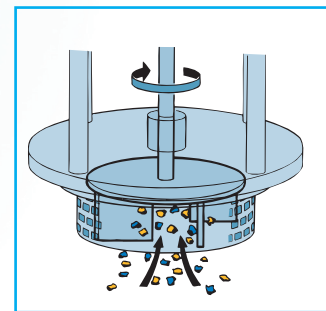
- Long process times are required to melt the waxes; solid pieces may require breaking up before they can be added to the kettle.
- Pigment grinds and pre-dispersions are difficult to disperse into the oil/wax medium due to the widely differing viscosity.
- The end product may require passing through a mill to obtain the required consistency and homogeneity.

The Solution

Product quality and consistency can be improved and processing times dramatically reduced by using a Silverson High Shear Batch mixer to prepare the premix. This can also reduce and in some cases eliminate the requirement for conventional milling. The rotor/stator mixer operates as follows:

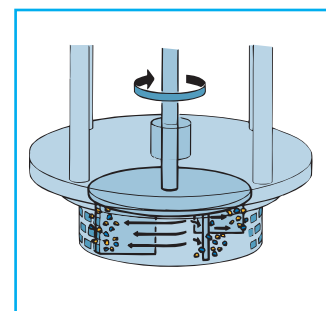
Stage 1

The oils and waxes are weighed into the kettle and heated. The mixer is started when the product is partially liquified. The high speed rotation of the rotor creates a powerful suction, drawing the wax particles and other ingredients into the workhead.



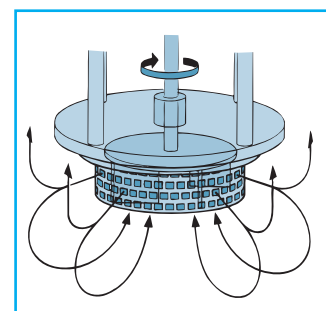
Stage 2

Centrifugal force drives the liquid and solid ingredients to the periphery of the workhead where the materials are subjected to intense shear in the gap between the tips of the rotor blades and the inner wall of the stator. The product is then forced out through the stator back into the body of the mix.



Stage 3

The intake and expulsion of materials through the workhead ensures that the contents of the vessel passes many times through the workhead. The combination of heat, vigorous mixing and particle size reduction accelerates the melting/liquifying of the wax, and rapidly disperses the pigment grind into the oil/wax medium to produce a homogeneous end product.



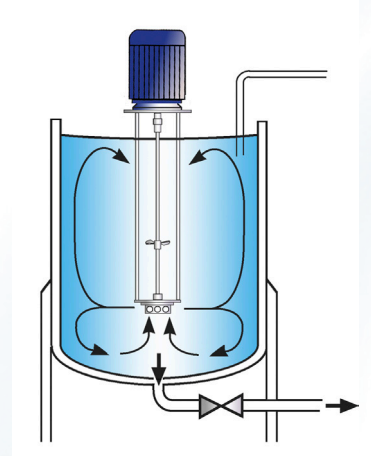
The Advantages

- Greatly reduced mixing times.
- Improved consistency and product texture.
- Some stages of production can be eliminated.
- The reduced particle size and more uniform premix produced can dramatically reduce the time taken at the milling stage.

Silverson manufactures a range of Batch and Bottom Entry mixers suitable for this application:

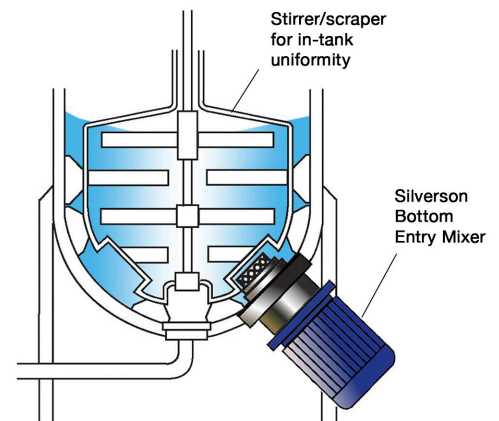
High Shear Batch Mixers

- Can be mounted on mobile hydraulic floor stands, allowing a single machine to process the contents of several kettles
- Used in conjunction with an anchor stirrer/scraper
- Small units available for R&D and pilot production



High Shear Bottom Entry Mixers

- No immersed shaft - reduces cleaning requirements
- Ultra Hygienic models available



For more information click here to go www.silverson.co.uk

Silverson Machines Ltd. Waterside, Chesham, Buckinghamshire England HP5 1PQ
Tel: +44 (0) 1494 786331 Email: sales@silverson.co.uk

Information contained in this report is believed to be correct and is included as a guide only. No warranty is expressed or implied as to fitness for use or freedom from patents. Silverson Machines reserve the right to change product specification without notice.

Issue No. 61TE4